

TRASMETTITORE DI PRESSIONE DIFFERENZIALE - MSP80D HART

Caratteristiche:

- Trasmittitore di pressione differenziale MSP80D, con sensore di acciaio inossidabile è adatto un'ampia varietà di liquidi, gas e vapori.
- Campi di pressione nominali:
Da -0,075 ... 0.075pa
Fino a 70bar ... 70bar;
- Max. Turndown:100:1;
- Display LCD con retroilluminazione;
- Housing può essere ruotato di 360°;

Applicazioni:

- Per l'applicazione nella progettazione di processo. per liquidi, vapori o gas. Campi di impiego sono: ingegneria di processo, industria chimica.

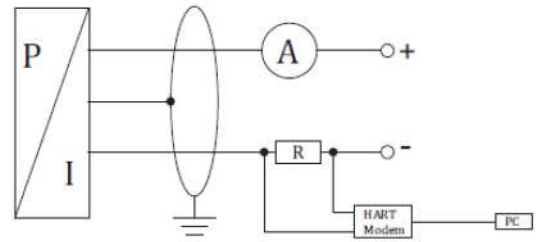
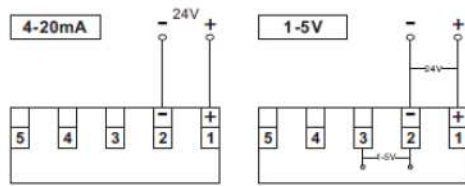


Dati Tecnici

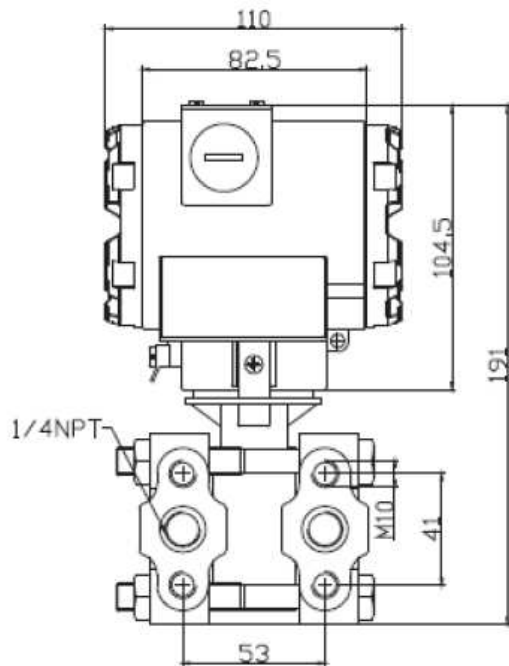
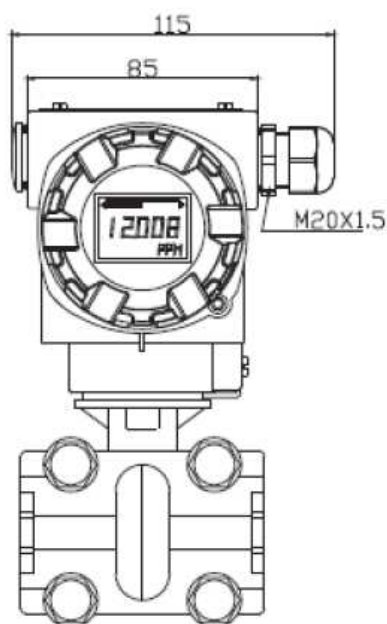
Measuring range					
Code	Nominal pressure	Measurement limit		Overload	Min.operating pressure
		Lower (LRL)	Upper (URL)		
3S	7.5kPa	-7.5kPa	7.5kPa	13MPa	0.12kPa
4S	40kPa	-40kPa	40kPa	13MPa	0.04kPa
5S	200kPa	-200kPa	200kPa	13MPa	2kPa
6S	700kPa	-700kPa	700kPa	13MPa	7kPa
7S	2100kPa	-2100kPa	2100kPa	13MPa	21kPa
8S	7000kPa	-7000kPa	7000kPa	125%	70kPa
Power supply (polarity protected)					
Supply voltage			10.5...45 V DC		
Input					
2-wire-system			4...20mA with superimposed signal for HART protocol digital communication		
Signal range- 4 to 20 mA			3.8mA...20.8mA		
Signal on alarm			3.8mA/Option: 22.8mA/Others on request		

Electrical protection		
Isolation resistance	> 250MΩ	
Insulation resistance	Permanent	
Reverse polarity protection	No damage, and no function	
Overvoltage protection	500V	
Intrinsic safety	Ex ia CT4~T6	
Performance		
Accuracy	3S	0.1% accuracy for range trundown 5:1 (0.1+0.01XURL/Span) between 1/5 and 1/50 of measuring
	4S..7S	0.075% accuracy for range trundown 10:1 (0.075+0.00751XURL/Span) between 1/10 and 1/100 of measuring
		0.2% accuracy for range trundown 10:1 (0.2+0.01XURL/Span) between 1/10 and 1/100 of measuring
	8S	0.2% accuracy for range trundown 10:1 (0.2+0.01XURL/Span) between 1/10 and 1/100 of measuring
Power supply effect	Negligible	
Static pressure effect	<0.01%URL/g when 200Hz	
Vibration effect	±0.05%/10K	
Installation position effect	Zero: 0.1%/7MPa; Span: 0.2%/7MPa	
Thermal effect	Offset can be set to zero	
Static pressure	0.1%URL /year	
Stability	5s	
Cycle time/Updater time	0 to 100s, in 0.1s-step	
Switch on delay	≤200ms (without consideration of electronic damping)	
Damping	0 bis 2%	
Response time	0 bis 160μA	
Self stability configuration	30bar..130bar	
Filter configured	0.25s	
Environment		
Humidity	5..98%	
Ambient and operation	-40 to +85 °C (without display),	
	-20 to +70 °C(with display)	
Storage Temperature	-40 to +85 °C	
Ingress protection	IP 65	
Electromagnetic compatibility(EMC)	Interference immunity and interference emission according to IEC 61326-1 : 2006.	
Physical specifications		
Diaphragms	Stainless steel 316L, Others on request	
Flange	Stainless steel 316L	
Drain/vent valve	Stainless steel 316L	
Media wetted o-rings	FKM, others on request	
Electronic housing	Die-cast aluminium	
Flange screws, identification plate	Carbon steel with Zinc coating	
Mounting brackets (Option)	Carbon steel with Zinc coating or with painting	
Sight glass	Laminated safety glass	
Filling fluid	Silicon oil/Others on request	
Others		
Display	Visible range 32.5 x 22.5mm; 5-digit 7-segment main display, digit height 8mm, 8-digit 14 segment additional display, digit height 5mm;	
	52 bars meter with 2% resolution	
Display Range	-19999-99999	
Weight	Standard model approx. 3.8kg	

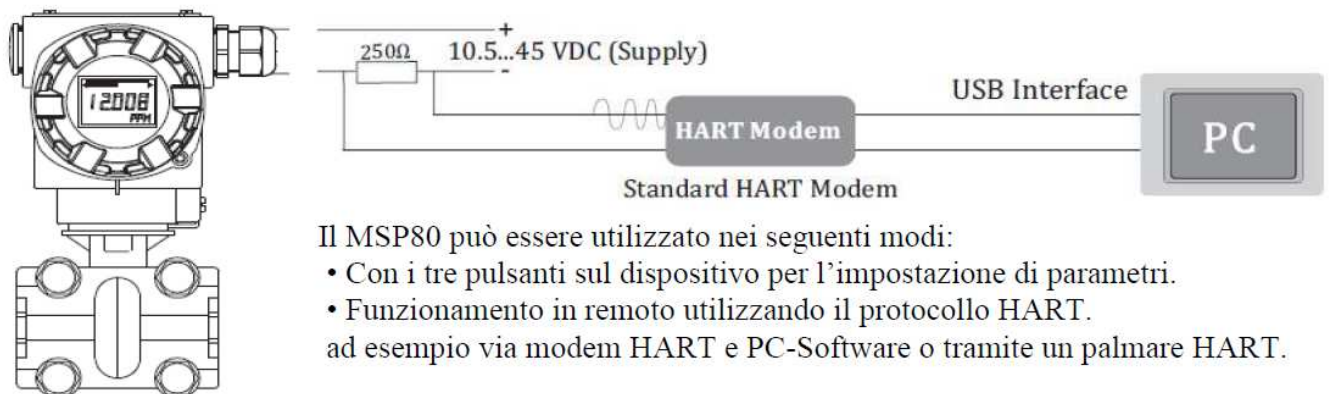
Connessione Elettrica:



Dimensioni (mm):



Operazioni:



Il MSP80 può essere utilizzato nei seguenti modi:

- Con i tre pulsanti sul dispositivo per l'impostazione di parametri.
- Funzionamento in remoto utilizzando il protocollo HART, ad esempio via modem HART e PC-Software o tramite un palmare HART.

Composizione Codice:

Type	MSP80D																			
Communication Type																				
	HART	H																		
Meas. Range [bar]																				
	-0.075...0.075		3	S																
	-0.4...0.4		4	S																
	-2...2		5	S																
	-7...7		6	S																
	-21...21		7	S																
	-70...70		8	S																
	Others on request		9	9																
Fill Fluid																				
	Silicone oil, standard cleaning		0	1																
	Silicone oil, degrease cleaning		0	2																
	Fluorocarbonoil, degrease cleaning		0	3																
Process connection																				
	None, 1/4 NPT female on the voer flanges		1	0																
	1/2-14, female, two electrical connections		1	1																
	Others on request		9	9																
Seal																				
	FPM																			
	Others on request		9	9																
Wetted Parts Material																				
	SUS316 SST with SUS316 SST Isolating diaphragm		0	1																
	SUS316 SST with Hastelloy C276 Isolating diaphragm		0	2																
	Hastelloy C276 with Hastelloy C276 Isolating diaphragm		0	3																
Electrical connection																				
	M20X1.5 DIN																			
	Others on request		9	9																
Mounting bracket																				
	Horizontal bracket																			
	Vertical bracket																			
	None																			
LCD Display																				
	None																			
	With Display																			
Signal on alarm																				
	Factory preset 3.8 or 22.8mA																			
	Others on request		9	9																
Other Opitions																				

Typical model number: MSP80D-H-3S-01-10-01-01-01-0D-00

9 | 9