

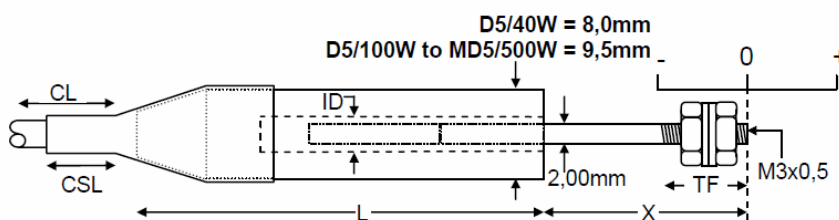
Trasduttore di Spostamento – Serie LVDT D5W



- Alto numero di cicli
- Immersibile
- Acciaio inossidabile
- Risoluzione infinita
- Dimensioni ridotte
- Accuratezza (best) 0.1% F.S.
- Range minimo $\pm 1\text{mm}$
- Range massimo $\pm 12.5\text{mm}$
- Lunghezza 46mm
- Diametro 8.0mm

Versione non guidata

Cavo uscita (assiale)

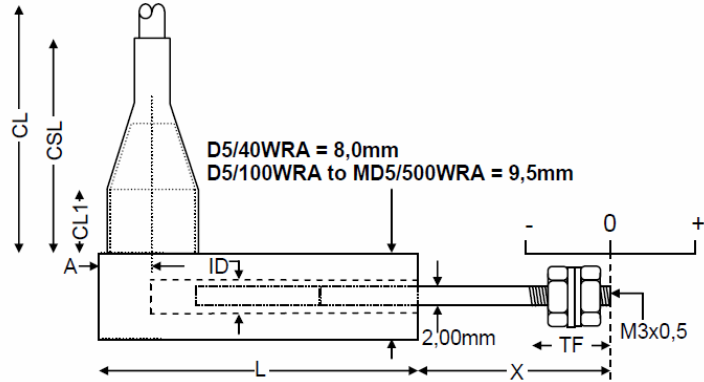


Type	Range	Linearity error (% F.S.)	L	X	ID	Total weight	Armature weight	TF	Inward over-travel	Sensitivity (nom)
D5/40W	$\pm 1\text{mm}$	$<\pm 0,5/\pm 0,25$	46mm	15,7mm	2,30mm	20g	1,3g	13mm	2,0mm	143mV/V
D5/100W	$\pm 2,5\text{mm}$	$<\pm 0,5/\pm 0,25$	53mm	19,5mm	2,29mm	22g	1,4g	14mm	1,5mm	375mV/V
D5/200W	$\pm 5\text{mm}$	$<\pm 0,5/\pm 0,25/\pm 0,1$	55mm	26,3mm	2,29mm	24g	1,8g	19mm	2,9mm	320mV/V
D5/300W	$\pm 7,5\text{mm}$	$<\pm 0,5/\pm 0,25/\pm 0,1$	70mm	30,0mm	2,54mm	26g	1,8g	19mm	4,0mm	435mV/V
D5/400W	$\pm 10\text{mm}$	$<\pm 0,5/\pm 0,25$	74mm	32,5mm	2,54mm	34g	1,9g	19mm	3,9mm	567mV/V
MD5//500W	$\pm 12,5\text{mm}$	$<\pm 0,5/\pm 0,25$	90mm	35,0mm	2,54mm	42g	2,3g	19mm	3,9mm	773mV/V

Cavo uscita (radiale)

A - 8mm (nominal)
CL1 - 18mm

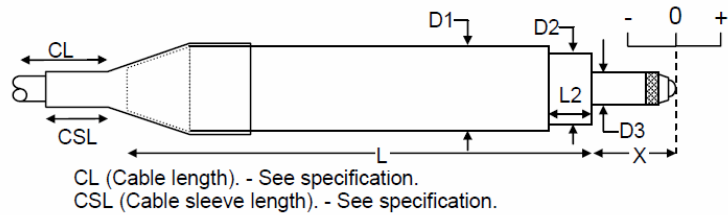
CL (Cable length). - See specification.
CSL (Cable sleeve length). - See specification.



Type	Range	Linearity error (% F.S.)	L	X	ID	Total weight	Armature weight	TF	Inward over-travel	Sensitivity (nom)
D5/40WRA	±1mm	<±0,5/±0,25	48mm	19,0mm	2,30mm	20g	1,3g	13mm	2,0mm	143mV/V
D5/100WRA	±2,5mm	<±0,5/±0,25	53mm	19,5mm	2,29mm	22g	1,4g	14mm	1,5mm	375mV/V
D5/200WRA	±5mm	<±0,5/±0,25/±0,1	55mm	26,3mm	2,29mm	24g	1,8g	18mm	2,9mm	320mV/V
D5/300WRA	±7,5mm	<±0,5/±0,25/±0,1	70mm	30,0mm	2,54mm	26g	1,8g	18mm	4,0mm	435mV/V
D5/400WRA	±10mm	<±0,5/±0,25	74mm	32,5mm	2,54mm	34g	1,9g	18mm	3,9mm	567mV/V
MD5/500WRA	±12,5mm	<±0,5/±0,25	90mm	35,0mm	2,54mm	42g	2,3g	18mm	3,9mm	773mV/V

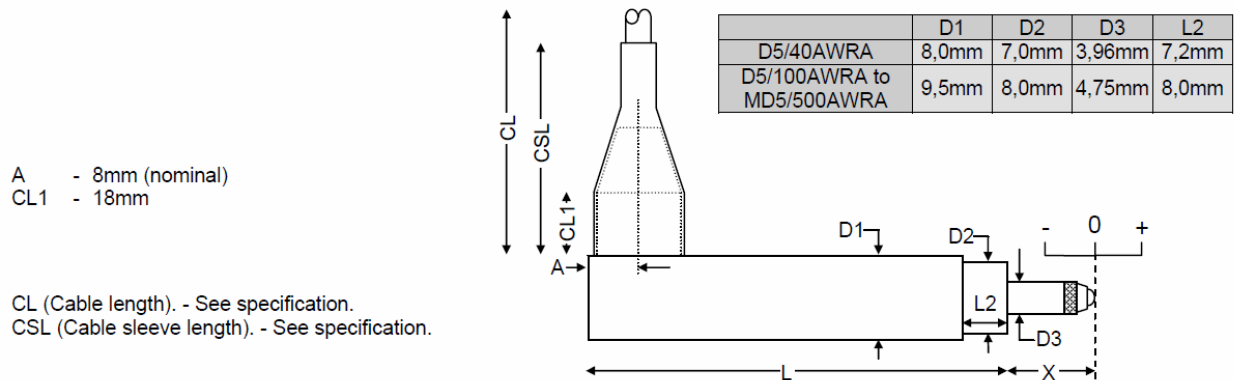
Versione ritorno a molla

	D1	D2	D3	L2
D5/40AW	8,0mm	7,0mm	3,96mm	7,2mm
D5/100AW to MD5/500AW	9,5mm	8,0mm	4,75mm	8,0mm



CL (Cable length). - See specification.
CSL (Cable sleeve length). - See specification.

Type	Range	Linearity error (% F.S.)	L	X	Total weight	Inward over-travel	Outward over-travel	Sensitivity (nom)
D5/40AW	±1mm	<±0,5/±0,25	58mm	11,5mm	11g	1,0mm	1,5mm	143mV/V
D5/100AW	±2,5mm	<±0,5/±0,25	69mm	12,5mm	30g	1,1mm	1,1mm	375mV/V
D5/200AW	±5mm	<±0,5/±0,25/±0,1	76mm	13,7mm	34g	1,4mm	0,3mm	320mV/V
D5/300AW	±7,5mm	<±0,5/±0,25/±0,1	98mm	15,3mm	38g	1,4mm	1,3mm	435mV/V
D5/400AW	±10mm	<±0,5/±0,25	110mm	19,0mm	44g	1,3mm	1,3mm	567mV/V
MD5/500AW	±12,5mm	<±0,5/±0,25	132mm	21,6mm	52g	1,9mm	1,3mm	773mV/V



Type	Range	Linearity error (% F.S.)	L	X	Total weight	Inward over-travel	Outward over-travel	Sensitivity (nom)
D5/40AWRA	±1mm	<±0,5/±0,25	59mm	11,5mm	11g	1,0mm	1,5mm	143mV/V
D5/100AWRA	±2,5mm	<±0,5/±0,25	69mm	12,5mm	30g	1,1mm	1,1mm	375mV/V
D5/200AWRA	±5mm	<±0,5/±0,25/±0,1	76mm	13,7mm	34g	1,4mm	0,3mm	320mV/V
D5/300AWRA	±7,5mm	<±0,5/±0,25/±0,1	98mm	15,3mm	38g	1,4mm	1,3mm	435mV/V
D5/400AWRA	±10mm	<±0,5/±0,25	110mm	19,0mm	44g	1,3mm	1,3mm	567mV/V
MD5/500AWRA	±12,5mm	<±0,5/±0,25	132mm	21,6mm	52g	1,9mm	1,3mm	773mV/V

Specification	
Excitation/supply (acceptable)	0,5V to 7V rms, 2kHz to 10kHz (sinusoidal)
Excitation/supply (calibrated)	5V rms, 5kHz (sinusoidal)
Output load	100k Ohms
Temperature coefficient (zero)	±0,01% F.S. /°C (typical)
Temperature coefficient (span)	±0,01% F.S. /°C (typical)
Operating temperature range	-20°C to 125°C
Maximum pressure when sealed on inner cable with TM0960	2MPa
Maximum pressure when sealed on cable sleeve	3MPa

Cable length	Standard cable	CSL (Cable sleeve length) = 2m, CL (Cable length) = 2m
	Maximum cable sleeve length	7m
	Option code TM0828	CSL (Cable sleeve length) = 600mm, CL (Cable length) = 600mm to 1000m
	Option code TM0960	CSL (Cable sleeve length) = 50mm, CL (Cable length) = 600mm to 1000m